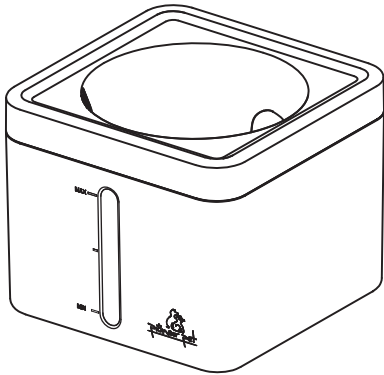


Pioneer Pet PET DRINKING FOUNTAIN MINI VORTEX



Made in China

SPECIFICATION

Product Name Pet Drinking Fountain

Input 100-240V, 50/60Hz

Output 5V, 1000mA

Pump Ultra Quiet Water Pump

Power Consumption 1 W

Cord Length 1.8m

Filter System T-shape filter

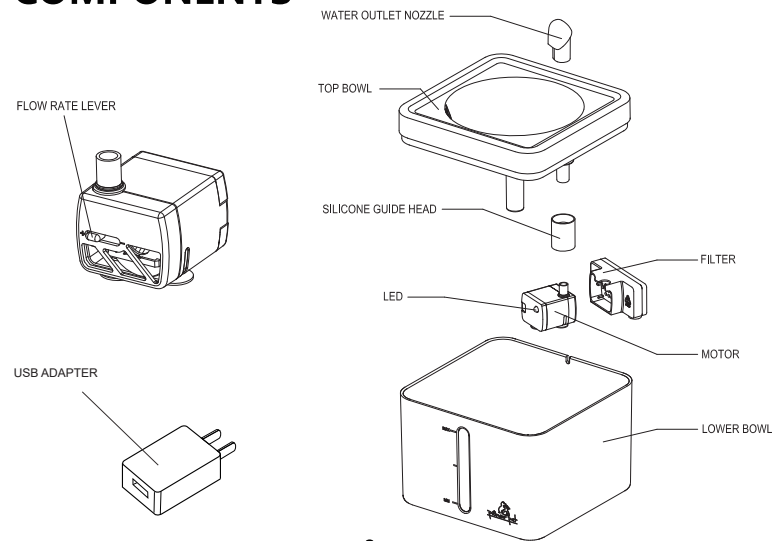
Capacity 80 oz (2.37L)

! IMPORTANT REMINDERS

- For indoor use only.
- Avoid water contact with the plug or outlet.
- Keep power adapter above the pet fountain unit.
- Runs on DC 5V power adapter. Non-USB power adapters are not compatible.
- Always keep water in the fountain when in use to avoid damaging the pump.
- Make sure the cord does not have any frayed or exposed wires.
- If the fountain suddenly becomes noisy, the water level may be too low. Add water to the fountain to resolve this problem.
- Cleaning the pump every 2 to 4 weeks will extend the life of the pump (at least 13,000 hours). We advocate environmental protection and encourage proper maintenance. A video of the cleaning process is available at our website: <http://pioneerpet.com/>

— 1 —

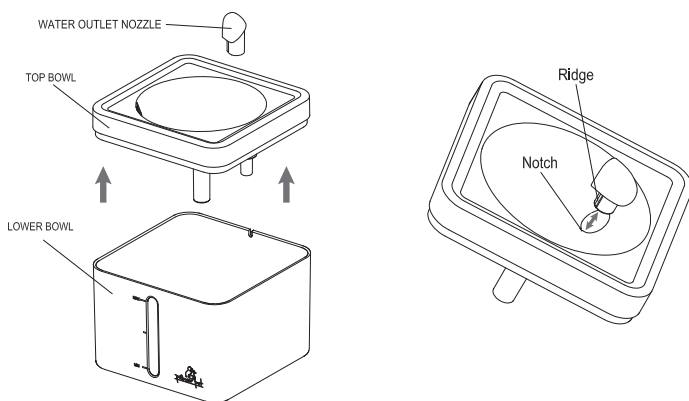
COMPONENTS



— 2 —

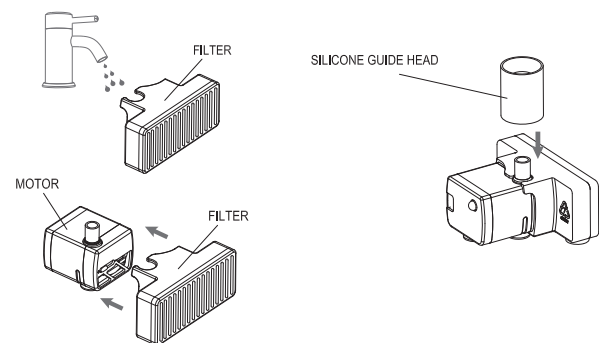
OPERATING INSTRUCTIONS

1. Remove all the parts and clean the top bowl, lower bowl and the outlet nozzle.
2. Place the water outlet nozzle onto the top bowl, make sure the ridge aligns with the notch on the top bowl.



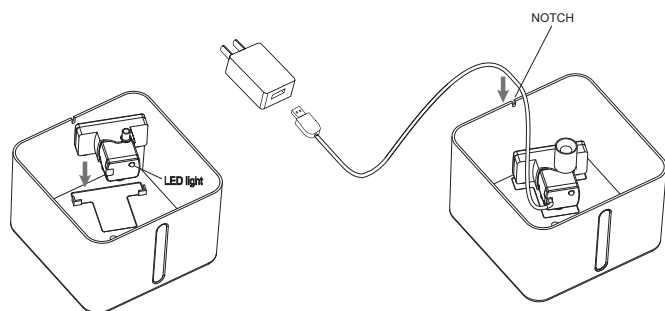
— 3 —

3. Rinse the filter thoroughly with cold water to help remove any excess or loose charcoal dust. Switch the flow rate lever of the pump to the highest position (to the left), connect the T-shape filter to the motor, and then place the silicone guide head on top of the pump outlet.



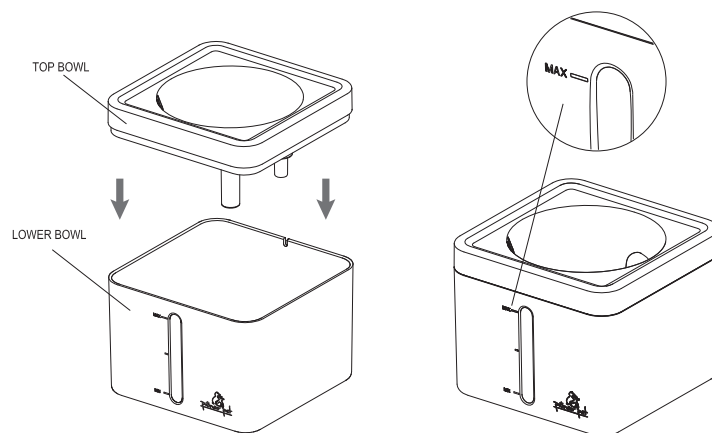
— 4 —

4. Place the pump inside the T-shape indentation (align with the brackets) and make sure the LED light faces toward the clear window. Place the electrical power cord in the notch at the back of the lower bowl.



—5—

5. Place the top bowl onto the lower bowl, and fill the lower bowl with clean water to the max line.

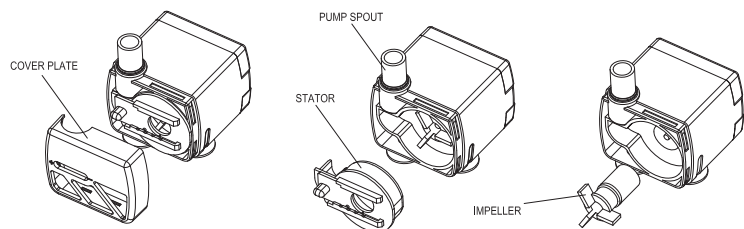


—6—

PUMP MAINTENANCE

- Cleaning the pump is essential to the longevity of the fountain.
- Clean the pump every 2 to 4 weeks.

1. Remove the cover plate, stator, and impeller.
 2. Clean all parts with soap and warm water.
 3. Thoroughly rinse all parts.
 4. Once cleaned, reassemble by replacing the impeller, stator and cover plate.
- Note: After reinserting the impeller, spin it three to five times in the same direction with your finger to ensure it is properly engaged with the magnet.



—7—

Q&A TROUBLESHOOTING

1. How frequently do I need to change the filter?

The charcoal filter and square sponge filter should be changed every 2 to 4 weeks, depending on the number of pets using the fountain. More pets using the fountain increases the saliva content and debris in the water, requiring the filter to be changed more frequently.

2. Why am I finding small black particles in my pet's fountain?

It is common for some residual charcoal dust to seep from the filter. This is perfectly normal and not harmful to your pet in any manner. To help prevent the charcoal dust from shedding, rinse the filter thoroughly under running water before placing inside the fountain.

3. How often should I clean the fountain?

Depending on the number of pets, the fountain should be cleaned at every 2 to 4 weeks. If you reside in a location with hard water, you may have to clean the fountain every week.

—8—

4. How long will the pump last?

The fountain runs on a long-life DC pump. The pump typically will run between 1.5 to 2 years (>13000 hours).

5. What is the power consumption?

The fountain runs on a low-power DC pump with a power adapter. The power consumption is about 720Wh per month or 8.6kWh per year.

—9—

MAKING A CLAIM

The pump assembly and fountain parts are warranted to be free of defects in material and workmanship for one (1) year from the date of purchase. Retain your dated sales receipt as proof of purchase. For more information regarding product warranty or technical support, please email: info@pioneerpet.com or call: 1-866-317-6278.

—10—